

FICHA TÉCNICA N-314

GANCHO ESTRUCTURERO ACERO 2"



N-314- X Rebar Hook Designed for 2" or small rebar

Forged steel, heat treated

100% proof loaded to 3600 lbs / 16 kN

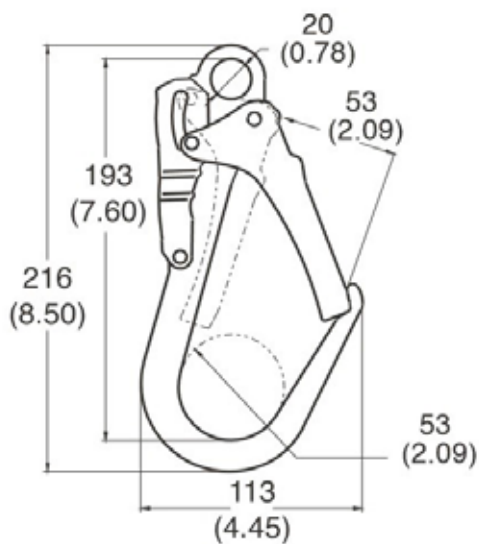
Min. Breaking load : 5000 lbs / 23 kN

Meets :

- ANSI Z359.1
- EN362 : 2004

Net weight : 17.6 oz. / 500 g.

zinc plated, matt



mm (inch)



Major axis test